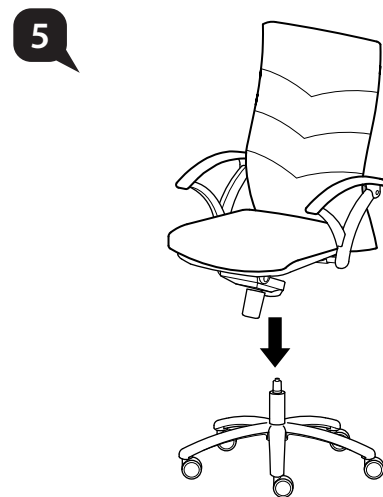
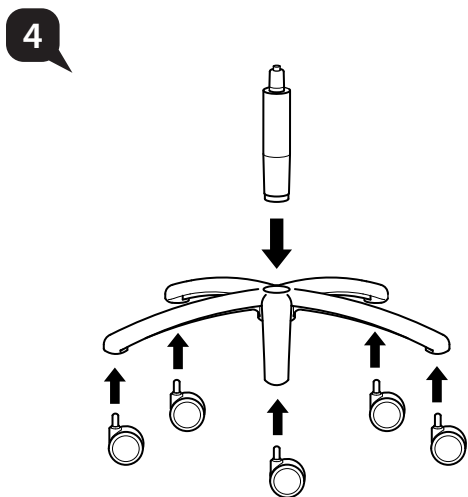
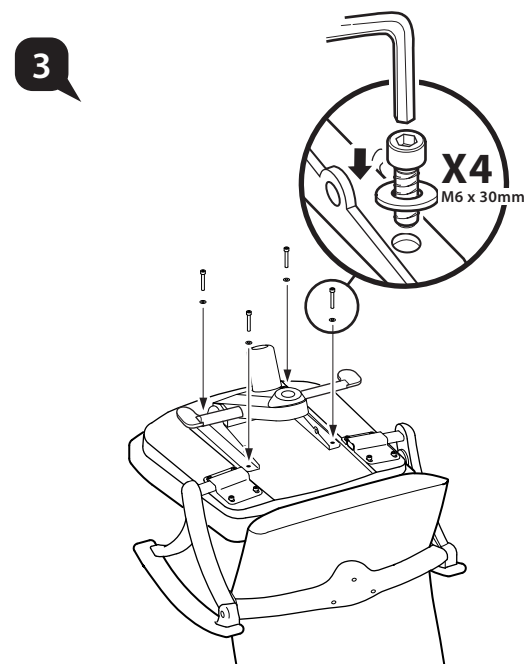
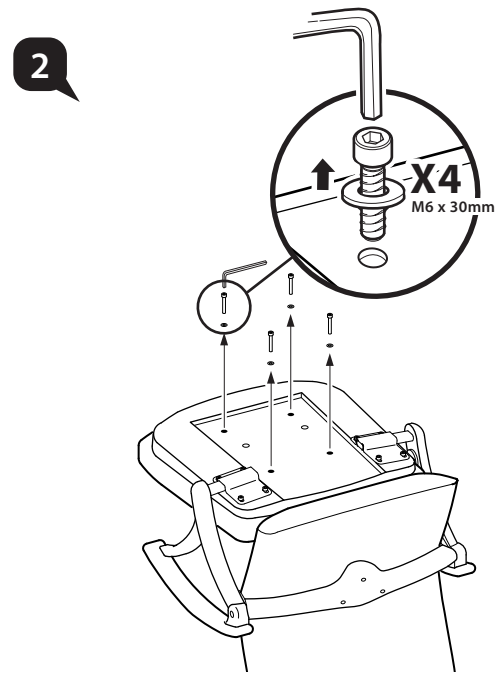
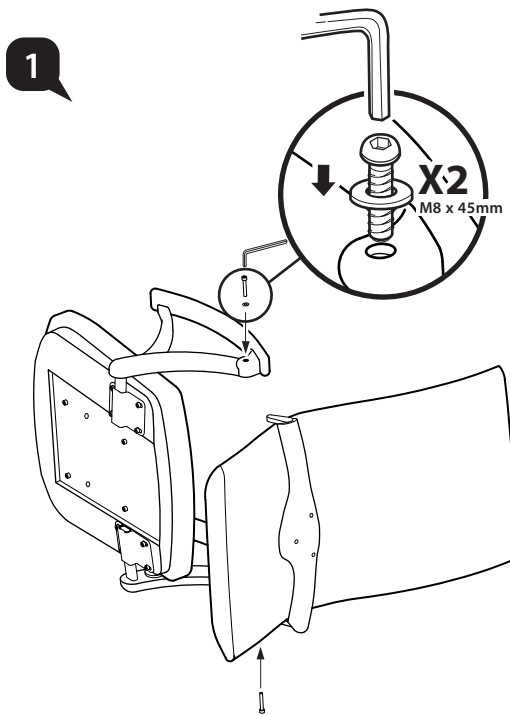


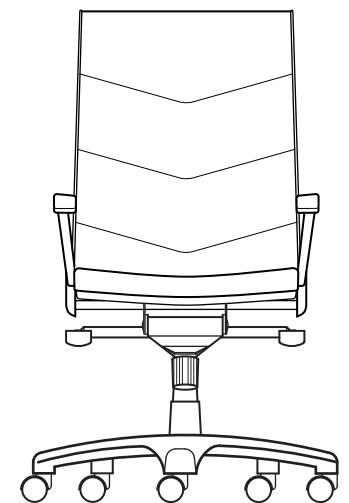
Assembly Instruction

MERRYFAIR®



Evo

models: P529 KT A13 M1
P528 KT A13 M1
P527 KT A13 M1



User Instructions

MERRYFAIR®

A *Seat Height Adjustable*

Flip up lever on right-side to raise or lower seat. Adjust such that your feet are adequately supported on floor.

B *Multi-Position Tilt Lock*

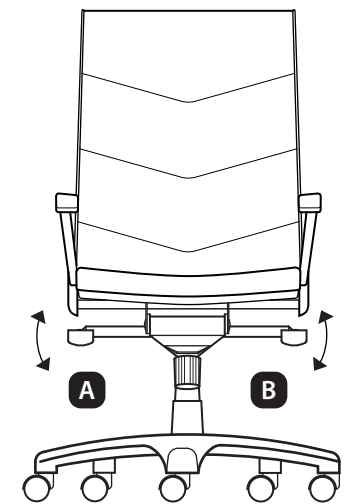
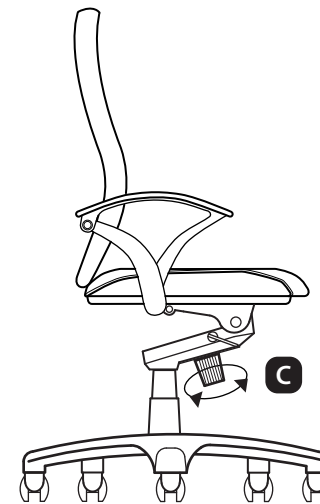
Recline to desired position, and flip down lever on left-side to lock. Flip up lever to release tilt-lock.

C *Tilt Tension Control*

Turn bottom knob clockwise to provide a stronger tilt tension, and vice-versa. Adjust such that minimum effort is required to push back when recline.

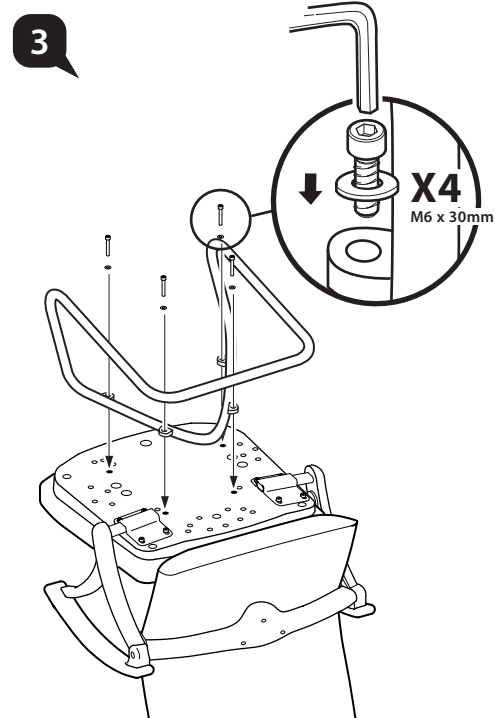
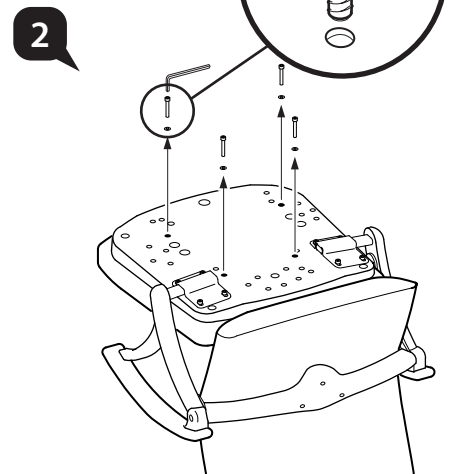
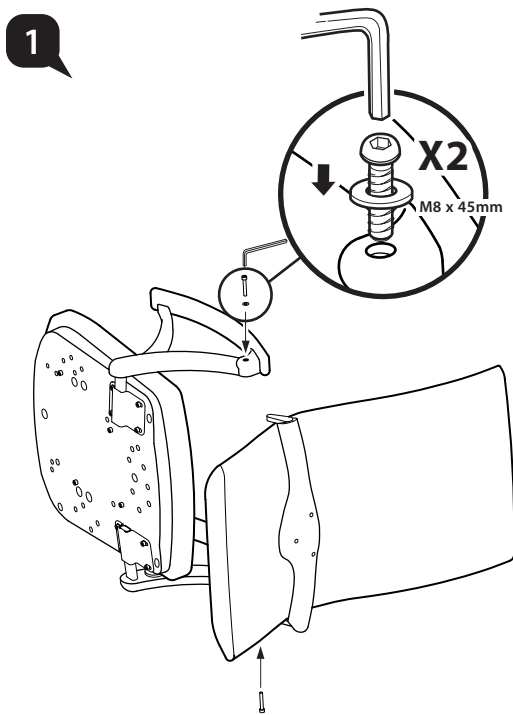
Evo

models: P529 KT A13 M1
P528 KT A13 M1
P527 KT A13 M1



Assembly Instruction

MERRYFAIR®



Evo

model: P521 NA A13 B

