

Stadium Chair – Oahu 1105 floor mounting Instruction

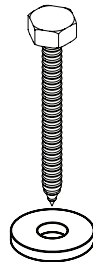
MERRYFAIR®

- 1 Put the chair at desired position.
- 2 Use the chair as a template, use power drills to drill the holes on the floor. (Diameter of the holes depends on the screw that use to fix to the floor)
- 3 Fix the chair to the floor by using:-

Proposed to use:



or

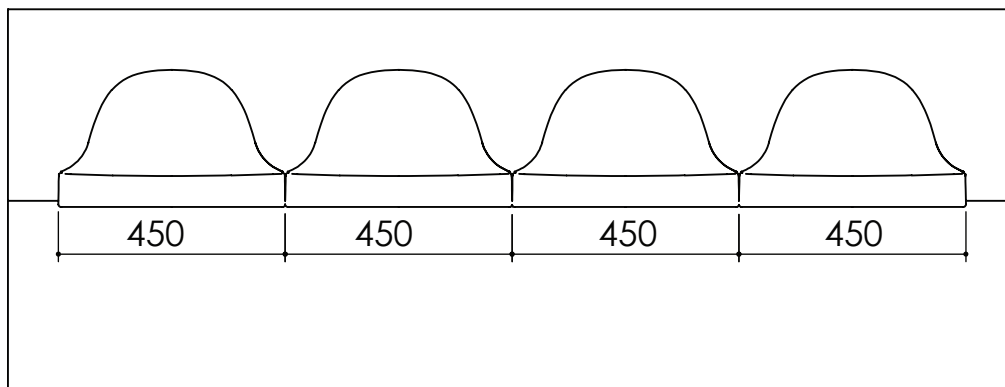
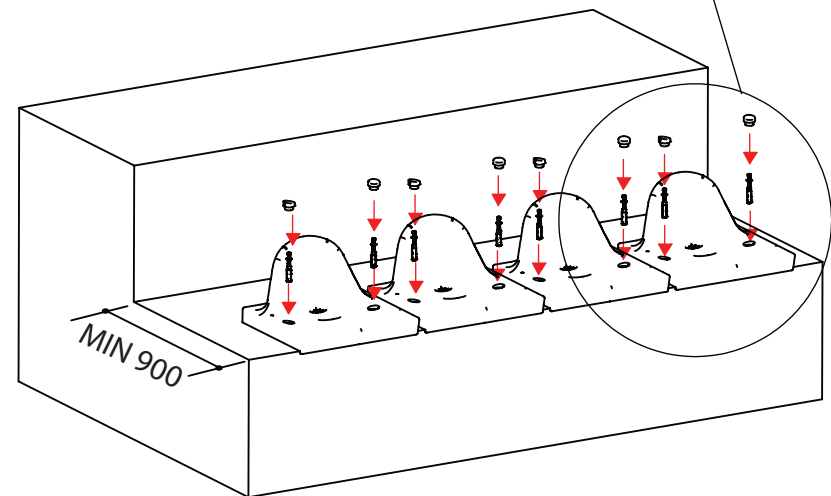
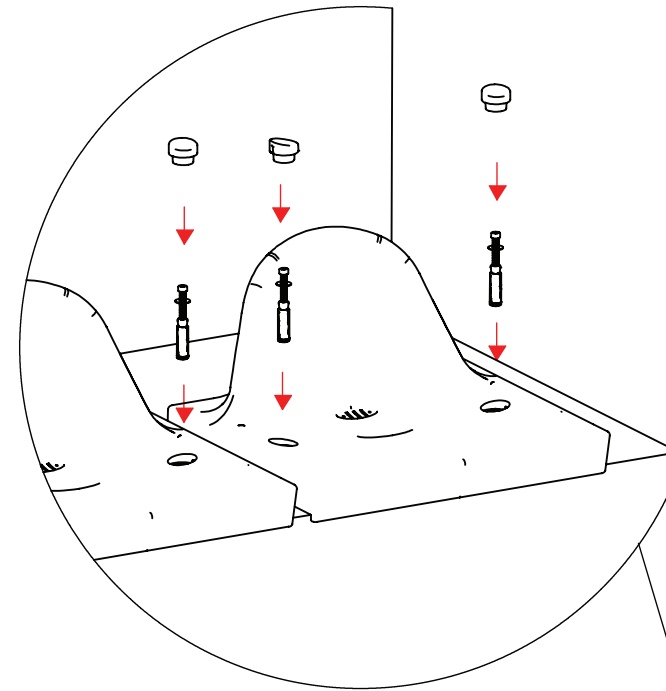


concrete floor:

- * M6 Shield Anchor Bolt
- * (7 x 19 x 1.6mm) Flat Washer

wooden floor:

- * Hexagon Coach Screw
- * Washer



* NOT INCLUDED

Stadium Chair – Oahu 1101 floor mounting Instruction

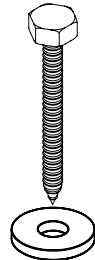
MERRYFAIR®

- 1 Put the chair at desired position.
- 2 Use the chair as a template, use power drills to drill the holes on the floor. (Diameter of the holes depends on the screw that use to fix to the floor)
- 3 Fix the chair to the floor by using:-

Proposed to use:



or

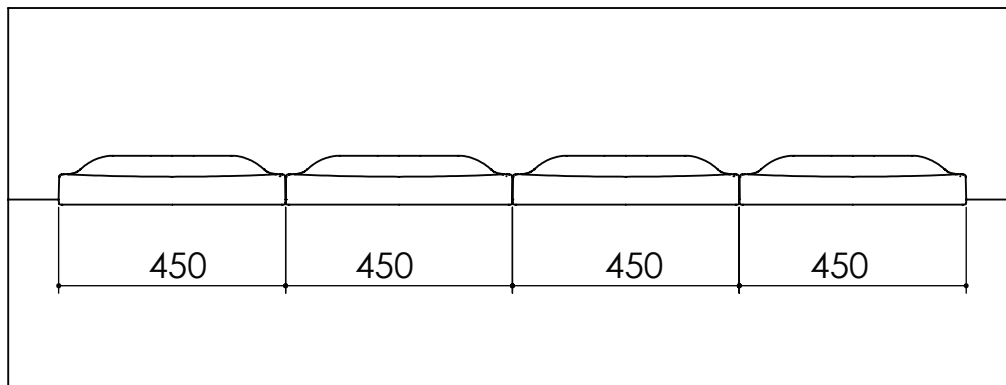
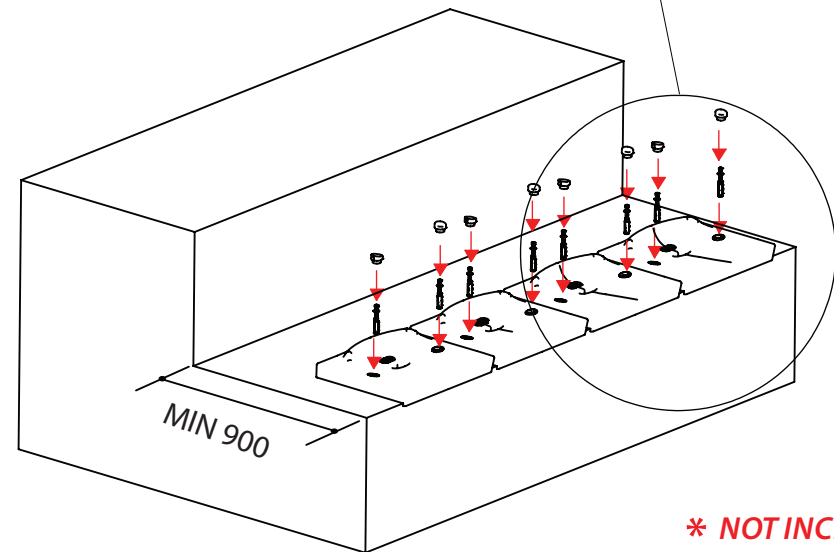
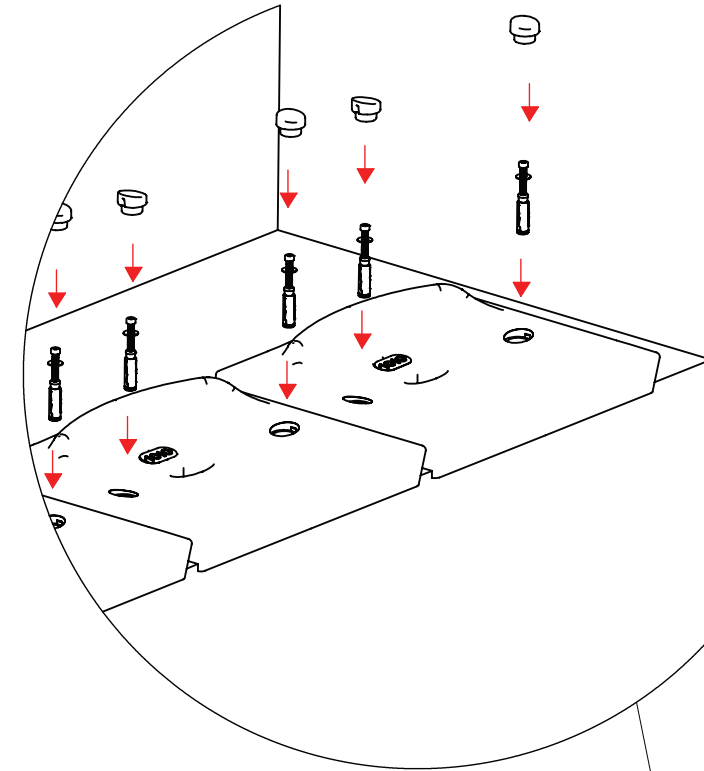


concrete floor:

- * M6 Shield Anchor Bolt
- * (7 x 19 x 1.6mm) Flat Washer

wooden floor:

- * Hexagon Coach Screw
- * Washer



* NOT INCLUDED