

MERRYFAIR®



**TUNE**

Seating Products

## **Seating Excellence at Work**

Tune, a multifunctional office chair with extreme looks and the ability to stand up to today's dynamic corporate life.



## TUNE features a cooling mesh back to control body heat buildup.

### Headrest

A sleek height adjustable headrest with free-tilting support.

### Lumbar Support Pad

Lumbar support can be conveniently adjusted by side knobs, without getting up from chair, to customize the exact support for various spinal shapes. Moveable range: 20mm.

### Chair Mechanism

Standard YM synchronized mechanism features 3-position tilt lock, pneumatic seat height and auto weight-sensing tilt tension.

Seat is adjustable for 100mm height range. Diecast aluminum alloy and steel material (100% recyclable) in black colour.



### Backrest

A breathable polyester mesh suspension allows for improved ventilation, to provide exceptional thermal comfort. The height of the backframe can be easily adjusted by lifting the frame to the desired position. Adjustable range: 105mm

### Armrest

3-way adjustable armrest. The height of the armrest can be easily adjusted by just lifting the armrests to suit the user's desk or body type. The armpad can be moved forward or backward. It also swivels into 3 angular positions, allowing the user to rest their arms easily.

### Base

Standard base is moulded of polypropylene in black colour. 50mm dual-wheels castor of moulded polyamide (Nylon).

Optional base of diecast aluminium alloy material (100% recyclable) in polished finish or epoxy-coating option. 65mm diameter dual-wheel in black Nylon.



Height Adjustable Headrest



Tilting Headrest  
Free-tilting headrest



Pneumatic Seat  
Height Adjustment



Sliding Seat



Height Adjustable Backrest



Height Adjustable Armrest



Synchronized Mechanism



Depth Adjustable Lumbar



Tilting Backrest  
Free-tilting backrest



Depth-Angle Adjustable Armpad  
2-way adjustable armpad

**Comfort**

TUNE has height adjustable back and adjustable lumbar pressure to ensure precise support for every spinal curve.

**Flexibility**

TUNE provides superior ergonomics for 90% of the population, from user size in between 150cm to 185cm.

**Meet the Standard**

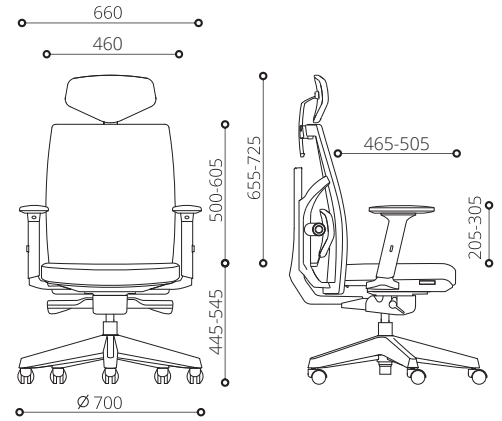
TUNE is designed to meet ANSI/BIFMA X5.1 durability and chair dimension standards.



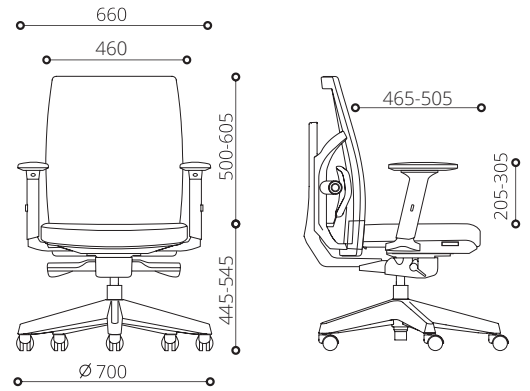
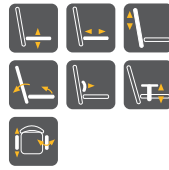




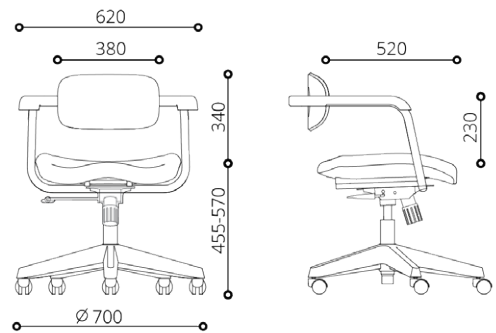
**High-back**  
139 YM A78 N2



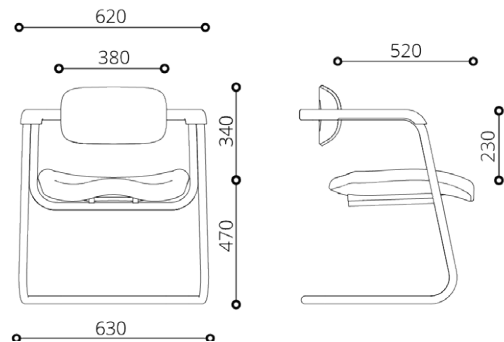
**Mid-back**  
138 YM A78 N2



**Low-back**  
096 SH B30 N2



**Visitor Chair**  
091 NA B30 B







Tune: Options  
Armrest



3-Way Adjustable Armrest  
(A78)



Fixed Armrest  
(A15)



350 Studio Base  
(Black)  
(N2)



Aluminium Base  
(NG)

## Tune: Features

### Headrest



Free-tilting Headrest  
(For model 139 only)



Height Adjustable Headrest  
(For model 139 only)

---

### Armrest



Height Adjustable  
Armrest  
(A78)



Angle Adjustable  
Armrest  
(A78)



Depth Adjustable  
Armrest  
(A78)

---

### Seat



Depth Adjustable Seat

---

### Lumbar Support



Depth Adjustable  
Lumbar

### Mechanism



Synchronized Mechanism Features  
3-Position Tilt Lock, Pneumatic Seat Height  
and Auto Weight-Sensing Tilt Tension  
(YM)

## HEAD OFFICE & FACTORY

**Merryfair Chair System Sdn Bhd**  
(Co. No. 86276-A)  
No.2, Jalan Koporat 1/KU9,  
Taman Perindustrian Meru,  
42200 Klang, Selangor D.E., Malaysia.

**International Sales & Marketing**  
Tel. +603 3393 2888  
Fax. +603 3393 2000  
enquiry@merryfair.com

**Domestic Sales & Marketing**  
Tel. +603 3393 6868  
Fax. +603 3393 6888  
domestic@merryfair.com

[www.merryfair.com](http://www.merryfair.com)

## SHOWROOM OFFICE

**Merryfair Marketing Sdn Bhd**  
(Co. No. 665054-V)  
No. 82-84, Jalan 2/23A,  
Jalan Genting Kelang,  
53300 Kuala Lumpur, Malaysia.  
Tel. +603 4149 8899  
Fax. +603 4143 0113

## REGIONAL OFFICE & SHOWROOM

**美力菲 (中国) 家具有限公司**  
广东省佛山市顺德区容桂华口顺德高新区(容桂)华天路21号  
邮编: 528306  
Merryfair (China) Co.,Ltd  
No. 21, Huatian Road, Shunde High Tech Industrial Zone  
(Ronggui), Huakou Community, Ronggui Subdistrict,  
Shunde District, Foshan City, Guangdong, China 528306.  
Tel. +86 757 2636 9861  
Fax. +86 757 2881 9700  
domestic@merryfair.com.cn

**Merryfair (Singapore) Pte Ltd**  
33 Ubi Avenue 3, #01-52/53 Vertex,  
Singapore 408868.  
Tel. +65 6284 9098  
Fax. +65 6284 9028  
enquiry@merryfair.com.sg

**Merryfair (Thailand) Co.,Ltd.**  
19/1-2 Sithakarn, Soi Chidlom  
Lumpini, Pathumwan  
Bangkok 10330 Thailand  
Tel : +66 2254 1588  
Fax : +66 2254 1585  
sales@merryfair.co.th

MERRYFAIR reserves the right to introduce modifications and withdraw models for continuous improvements without prior notice.

